

SPECIFICATION

**ISM band – 868 MHz
Stubby Antenna**



Model No. : AB05LW-8-S4



1. General Description

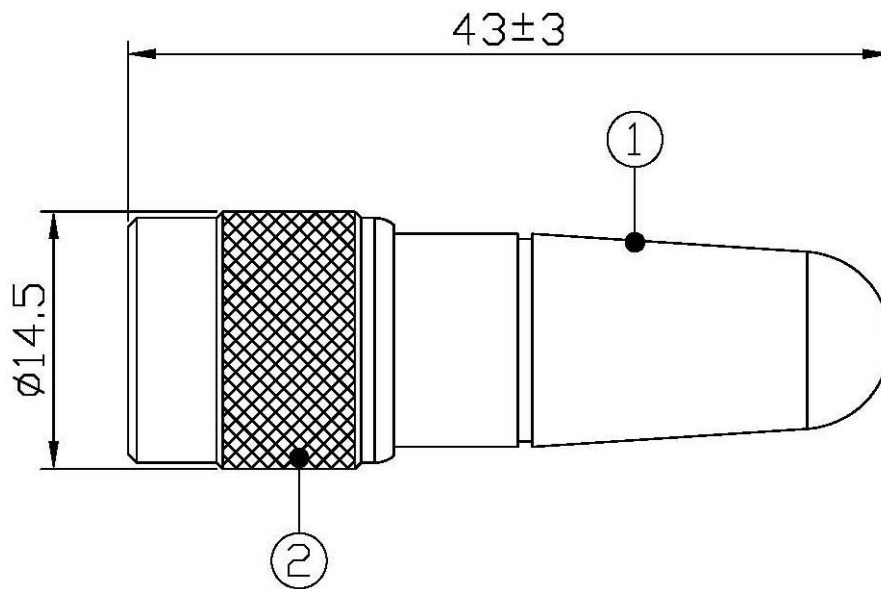
1.1 Electrical Properties

Parameter	Description
Frequency Band	868 MHz
Nominal Impedance	50 Ω
Polarization	Vertical
V.S.W.R.	<2 : 1

1.2 Mechanical Properties

Parameter	Description
Dimensions	43 mm \pm 3
Connector	180° TNC Male
Operating Temperature Range	-20°C~60°C
Storage Temperature Range	-30°C~70°C

2. Appearance (Unit : mm)

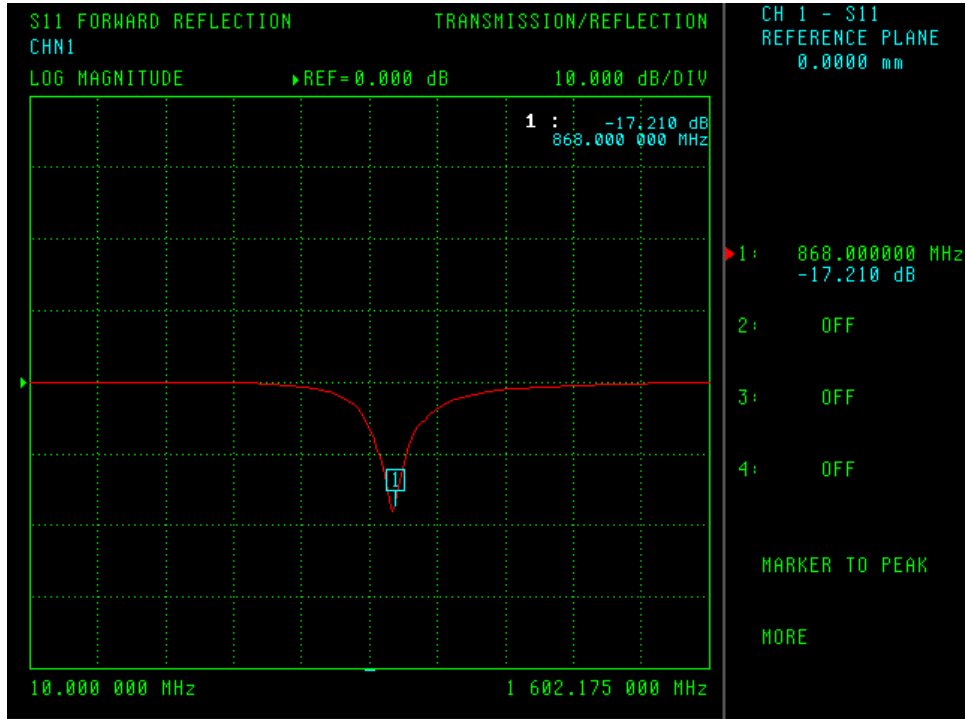


NO.	Name	Finish
1	Tube covering	Black
2	180° TNC Male	Nickel plating

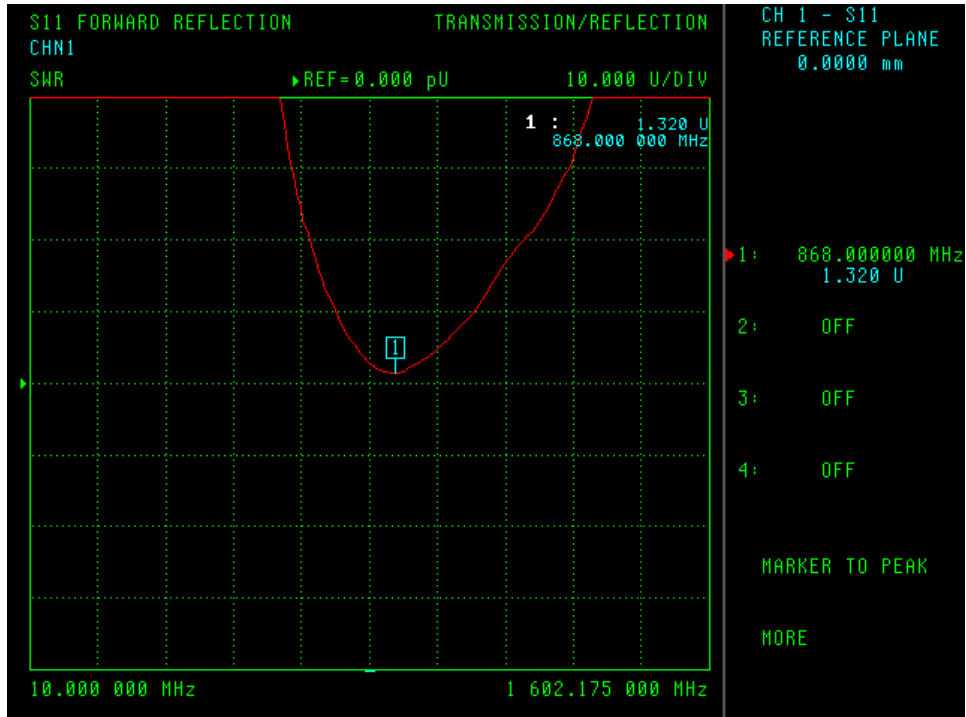


3. Performance

Return Loss



V.S.W.R.



Smith Chart

