



SPECIFICATION

2G GSM Stubby Antenna



Model No. : AB03G-S0



1. General Description

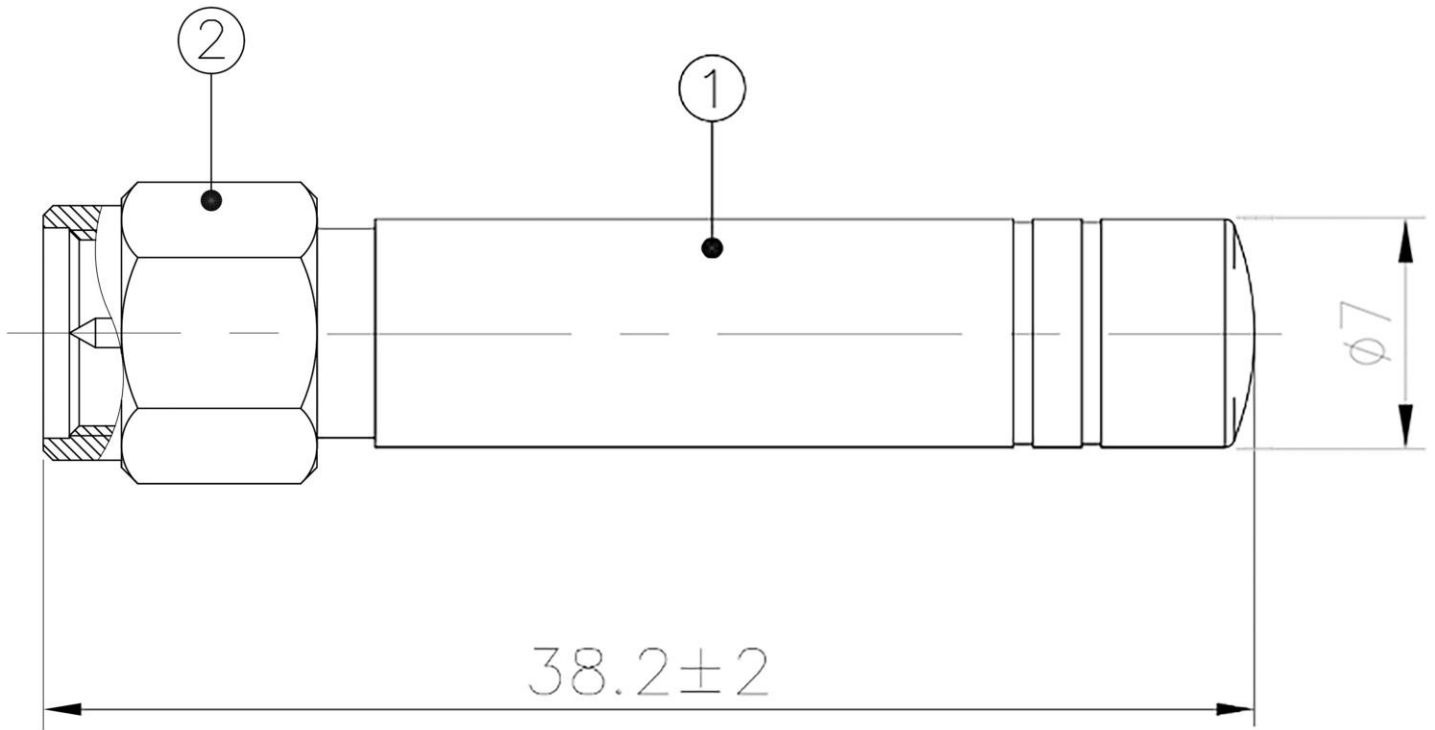
1.1 Electrical Properties

Parameter	Description
Frequency Band	824~960/1710~1990 MHz
Nominal Impedance	50 Ω
Polarization	Vertical
V.S.W.R.	<6.3 : 1

1.2 Mechanical Properties

Parameter	Description
Dimensions	38.2 mm \pm 2
Connector	180° SMA Male
Operating Temperature Range	-20°C~60°C
Storage Temperature Range	-30°C~70°C

2. Appearance (Unit : mm)

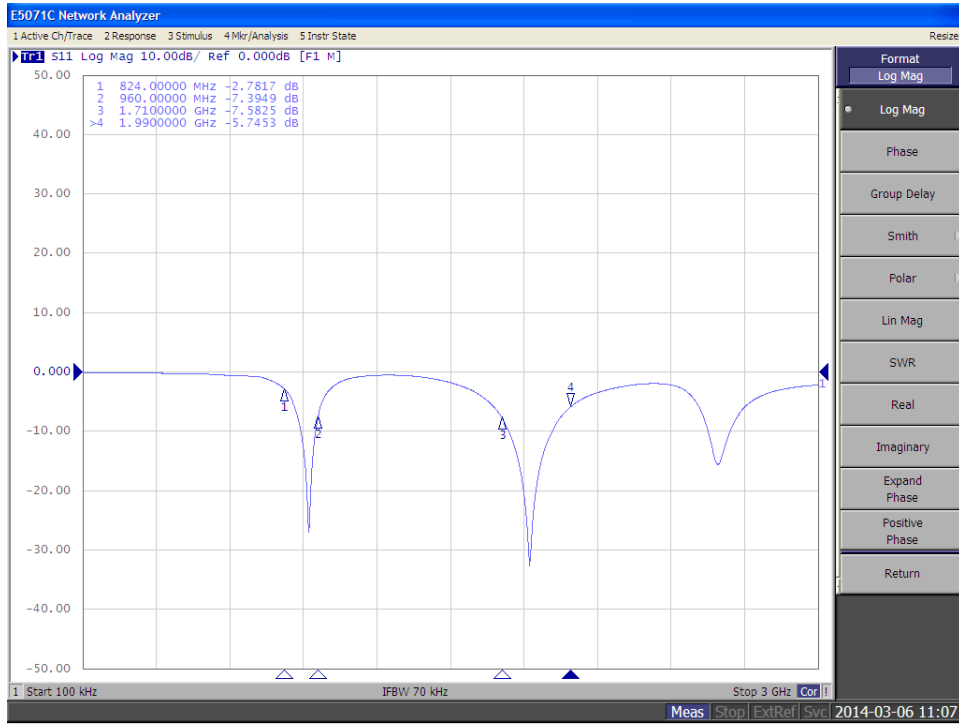


NO.	Name	Finish
1	Tube covering	Black
2	180° SMA Male	Nickel plating

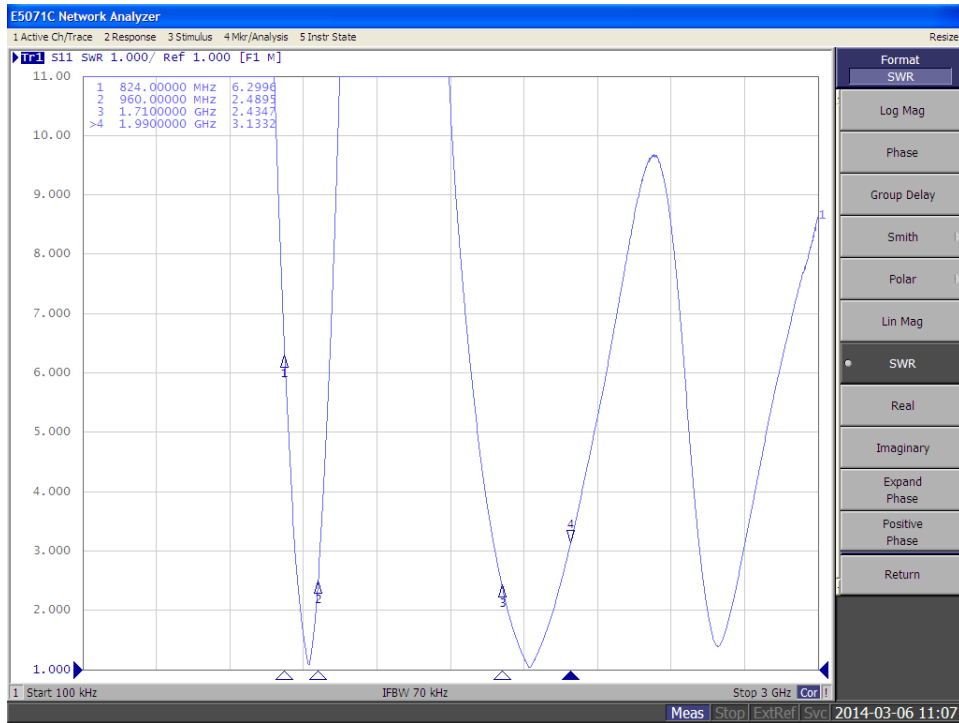


3. Performance

Return Loss



V.S.W.R.





Smith Chart

