



# SPECIFICATION

**Wi-Fi / Bluetooth / Zigbee – 2.4 GHz  
Stubby Antenna**



**Model No. : AB03B-S0R**



---

## 1. General Description

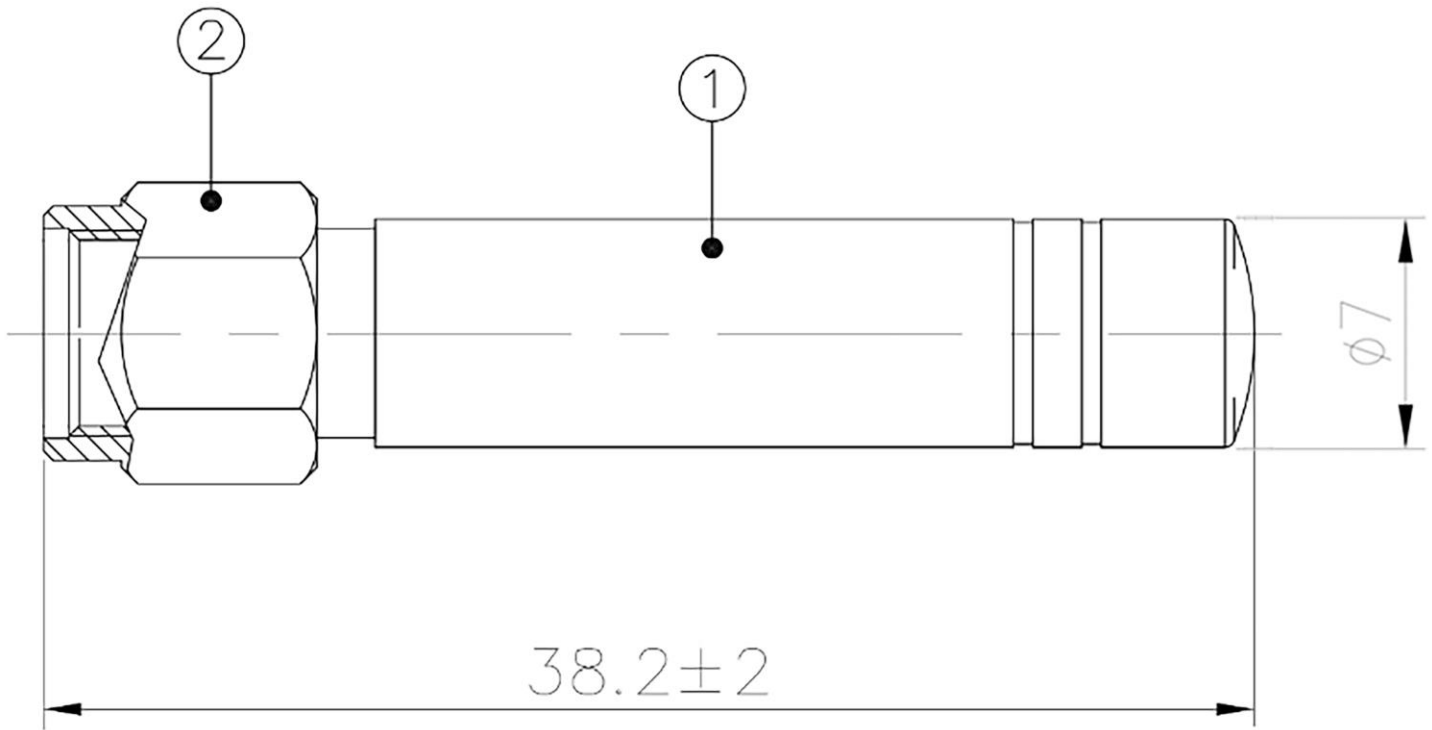
### 1.1 Electrical Properties

Parameter	Description
Frequency Band	2.4~2.5 GHz
Nominal Impedance	50 $\Omega$
Polarization	Vertical
V.S.W.R.	<2 : 1

### 1.2 Mechanical Properties

Parameter	Description
Dimensions	38.2 mm $\pm$ 2
Connector	180° RP SMA Male
Operating Temperature Range	-20°C~60°C
Storage Temperature Range	-30°C~70°C

## 2. Appearance (Unit : mm)



NO.	Name	Finish
1	Tube covering	Black
2	180° RP SMA Male	Nickel plating

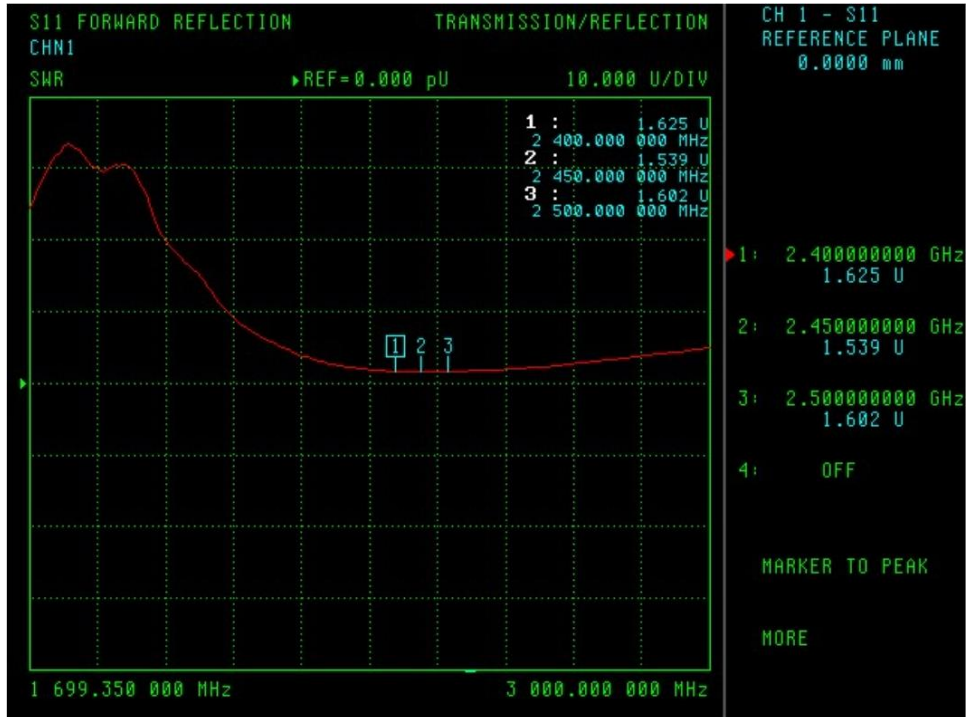


### 3. Performance

#### Return Loss



#### V.S.W.R.



### Smith Chart

