



SPECIFICATION

**Wi-Fi / Bluetooth / Zigbee – 2.4 GHz
Stubby Antenna**



Model No. : AB02B-S0R



1. General Description

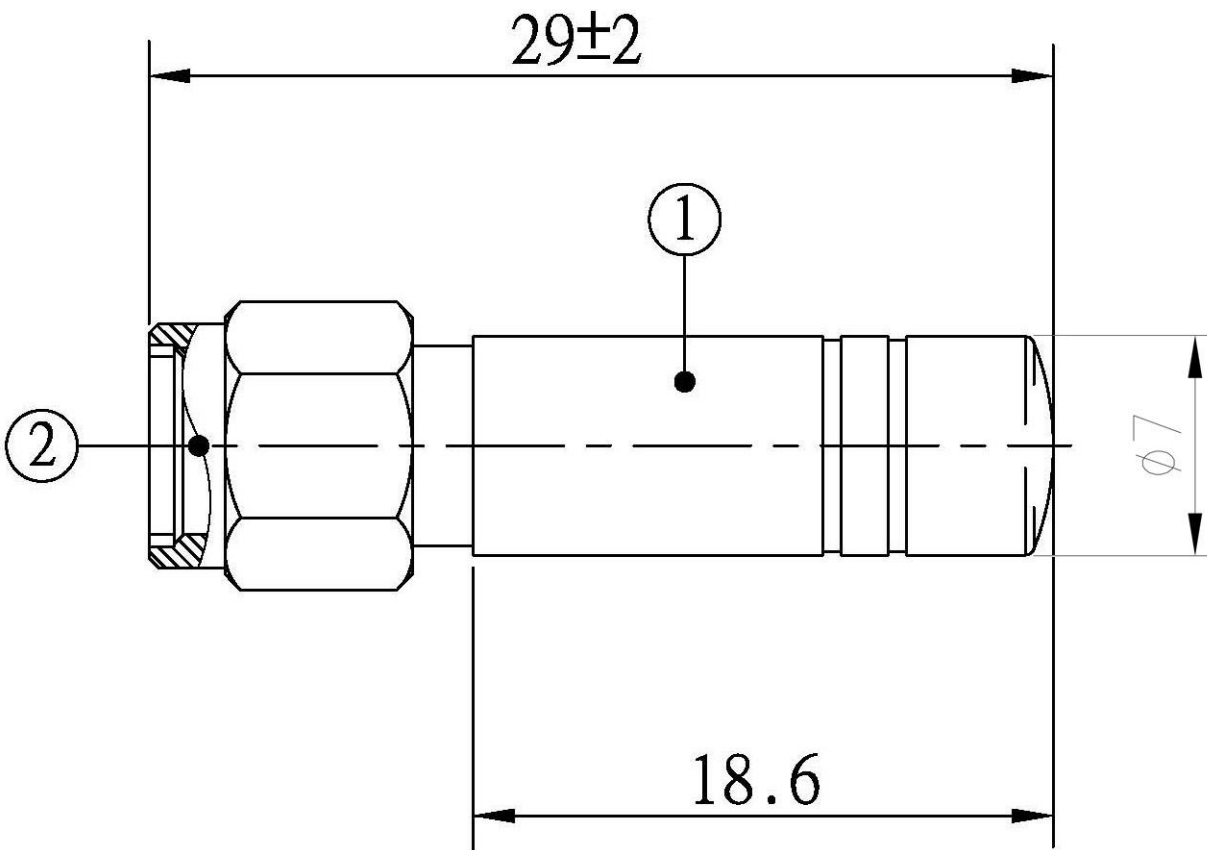
1.1 Electrical Properties

Parameter	Description
Frequency Band	2.35~2.6 GHz
Nominal Impedance	50 Ω
Polarization	Vertical
V.S.W.R.	<2 : 1

1.2 Mechanical Properties

Parameter	Description
Dimensions	29 mm \pm 2
Connector	180° RP SMA Male
Operating Temperature Range	-20°C~60°C
Storage Temperature Range	-30°C~70°C

2. Appearance (Unit : mm)

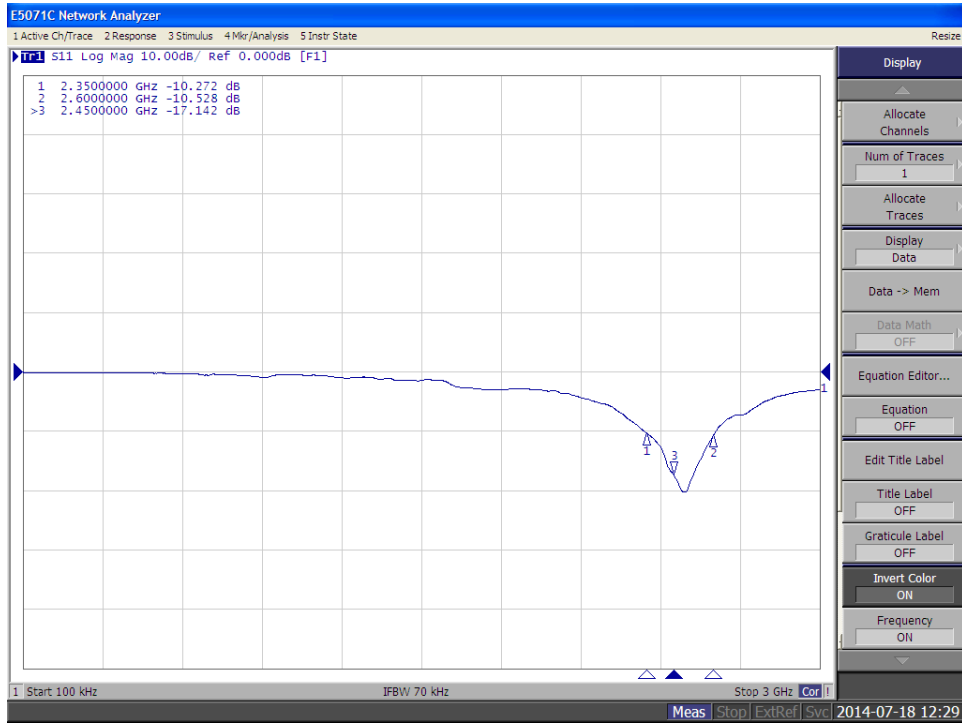


NO.	Name	Finish
1	Tube covering	Black
2	180° RP SMA Male	Nickel plating



3. Performance

Return Loss



V.S.W.R.





Smith Chart

