



SPECIFICATION

3G / 4G LTE
Adhesive Antenna



Model No. : AA07L-174-1.5-S0



1. General Description

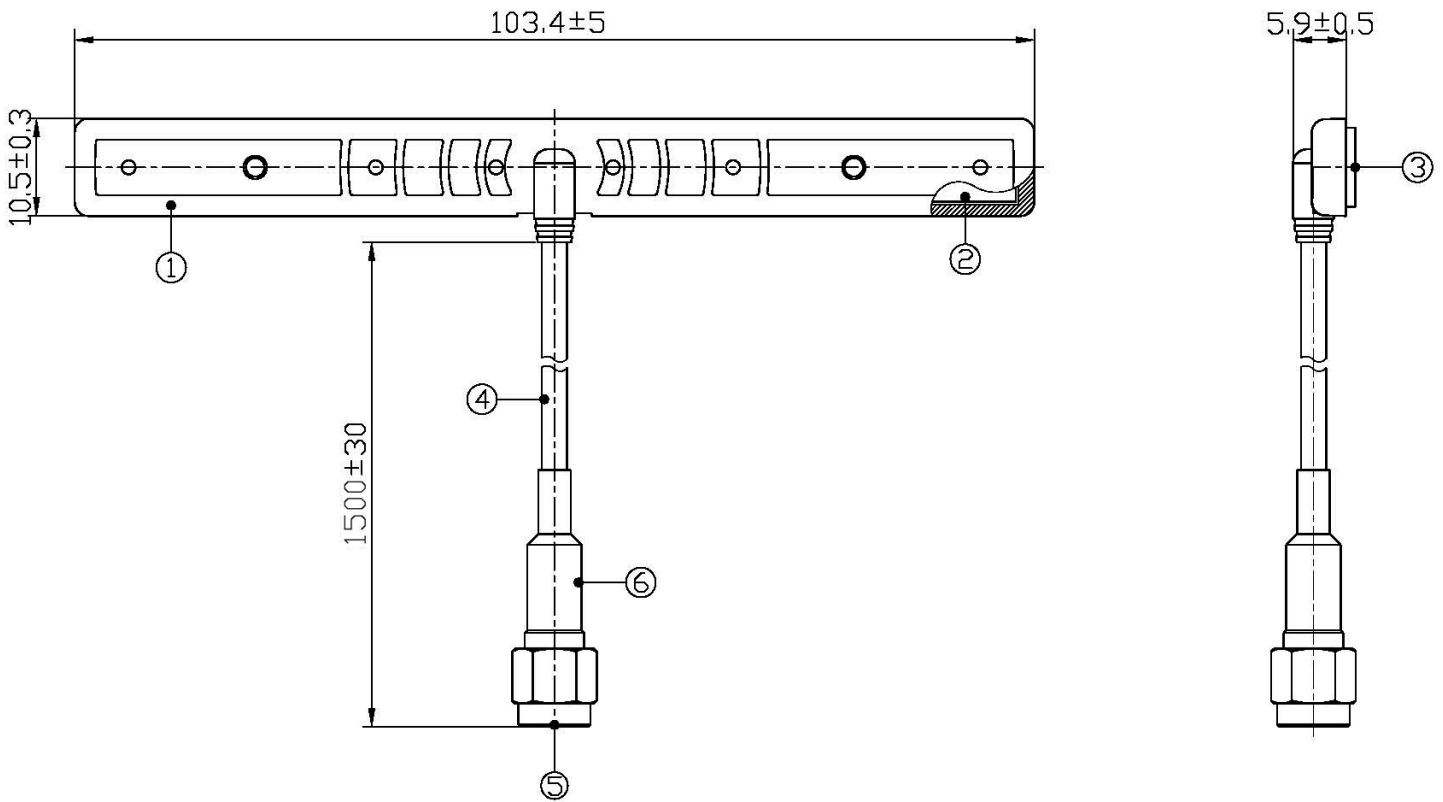
1.1 Electrical Properties

Parameter	Description
Frequency Band	690~960/1710~2700 MHz
Nominal Impedance	50 Ω
V.S.W.R.	<4.1 : 1

1.2 Mechanical Properties

Parameter	Description
Dimensions	103.4*10.5*5.9 mm
Connector	180° SMA Male
Cable Length	RG-174 cable*1500 mm \pm 30
Operating Temperature Range	-20°C~+60°C
Storage Temperature Range	-30°C~+70°C

2. Appearance (Unit : mm)

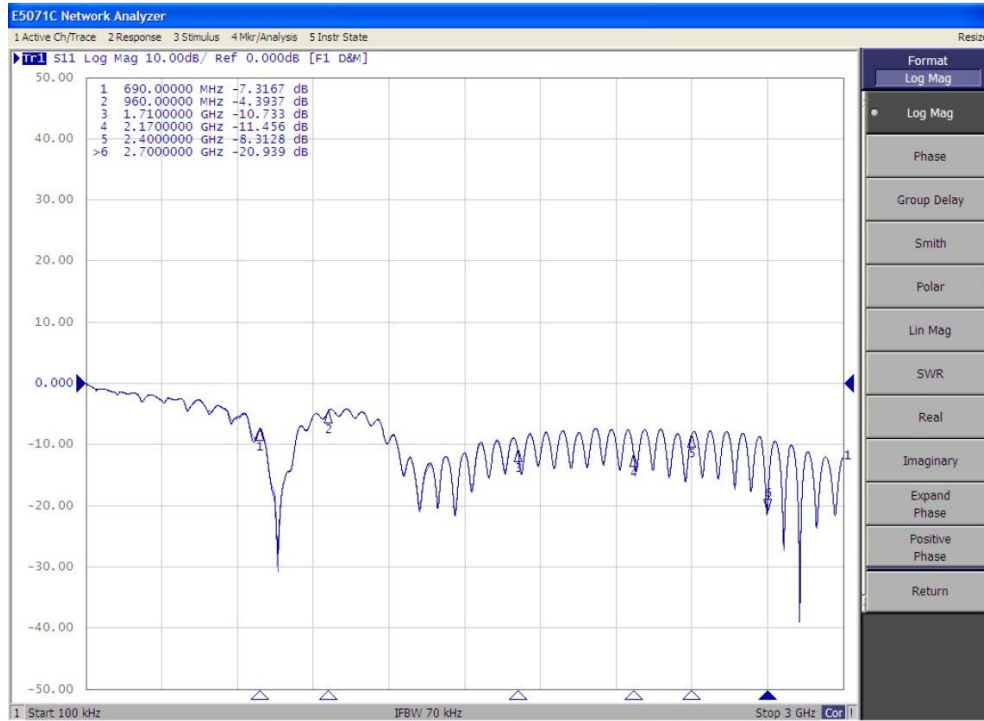


NO.	Name	Finish
1	PU Covering	Black
2	PCB	
3	Double-sided adhesive	Red
4	RG-174 A/U cable	Black
5	180° SMA Male	Nickel plating
6	Heat shrink tube	Black



3. Performance

Return Loss



V.S.W.R.





Smith Chart

