



# SPECIFICATION

**3G / 4G LTE / 5G NR**  
**Adhesive Antenna**



**Model No. : AA05N1-174-2.5-S0**



## 1. General Description

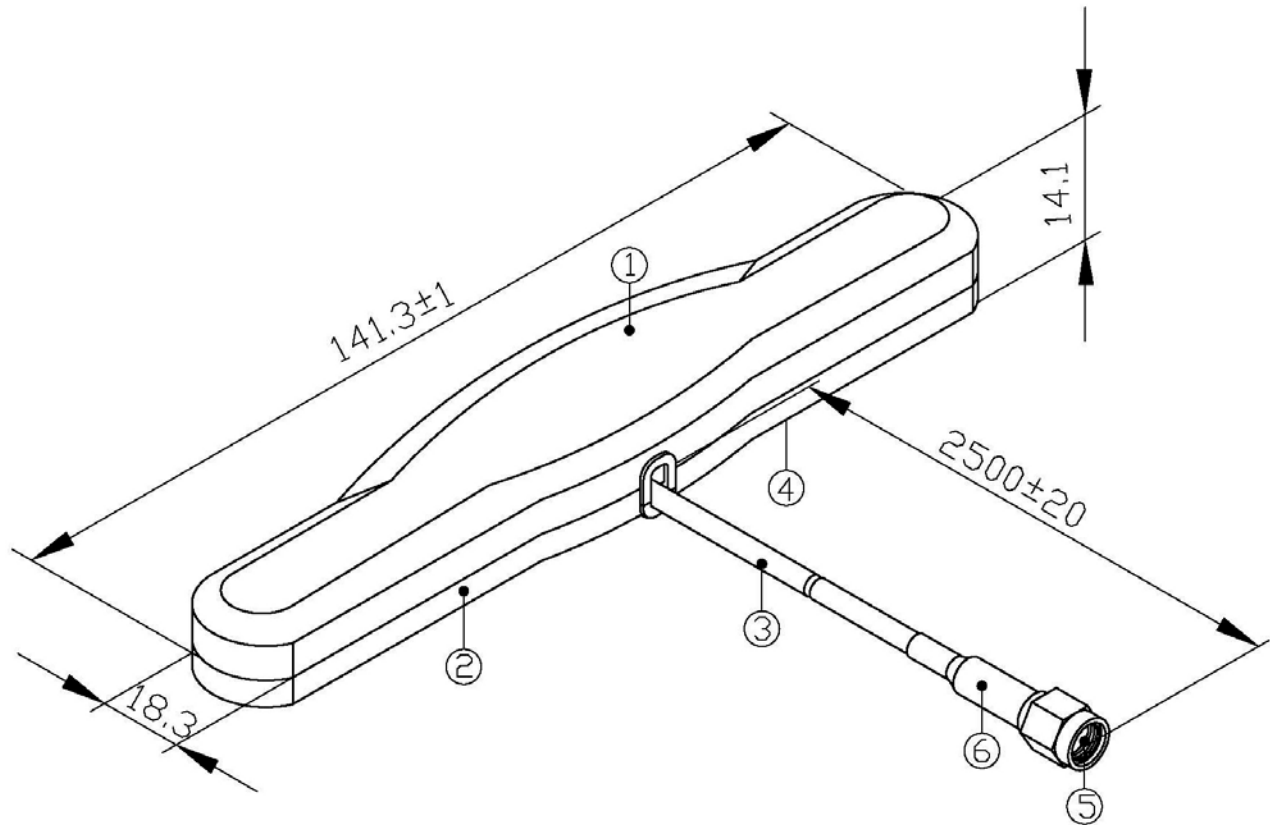
### 1.1 Electrical Properties

Parameter	Description
Frequency Band	690~4500 MHz
Nominal Impedance	50 $\Omega$
V.S.W.R.	<3.3 : 1

### 1.2 Mechanical Properties

Parameter	Description
Dimensions	141.3*18.3*14.1 mm
Connector	180° SMA Male
Cable Length	RG-174 cable*2500 mm $\pm$ 20
Operating Temperature Range	-20°C~+60°C
Storage Temperature Range	-30°C~+70°C

## 2. Appearance (Unit : mm)

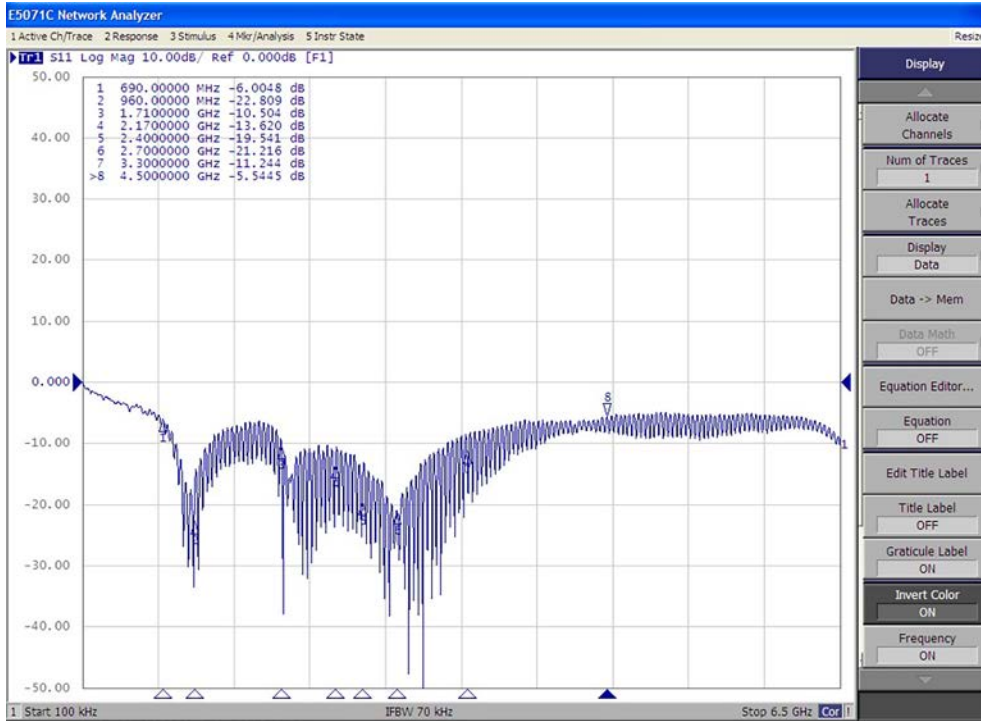


NO.	Name	Finish
1	Top shell	Black
2	Bottom shell	Black
3	RG-174 A/U cable	Black
4	3M adhesive	Red
5	180° SMA Male	Nickel plating
6	Heat shrink tube	Black

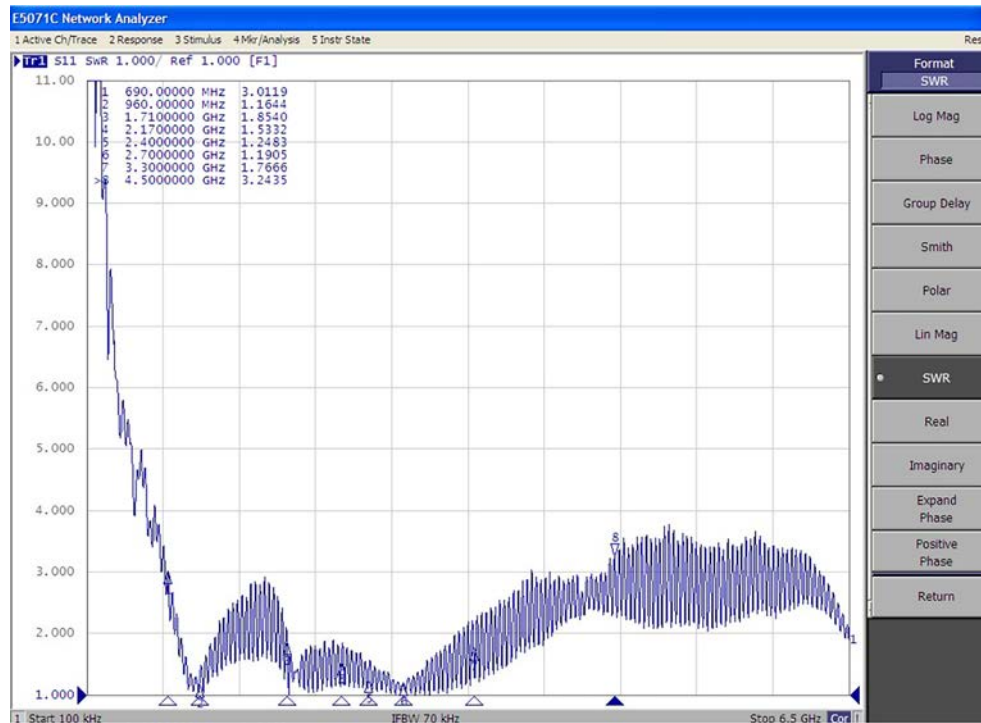


### 3. Performance

#### Return Loss



#### V.S.W.R.





## Smith Chart

