



# **SPECIFICATION**

## **Dual Wi-Fi—2.4/5 GHz Adhesive Antenna**



**Model No. : AA02DW-174-1-S0R**



## 1. General Description

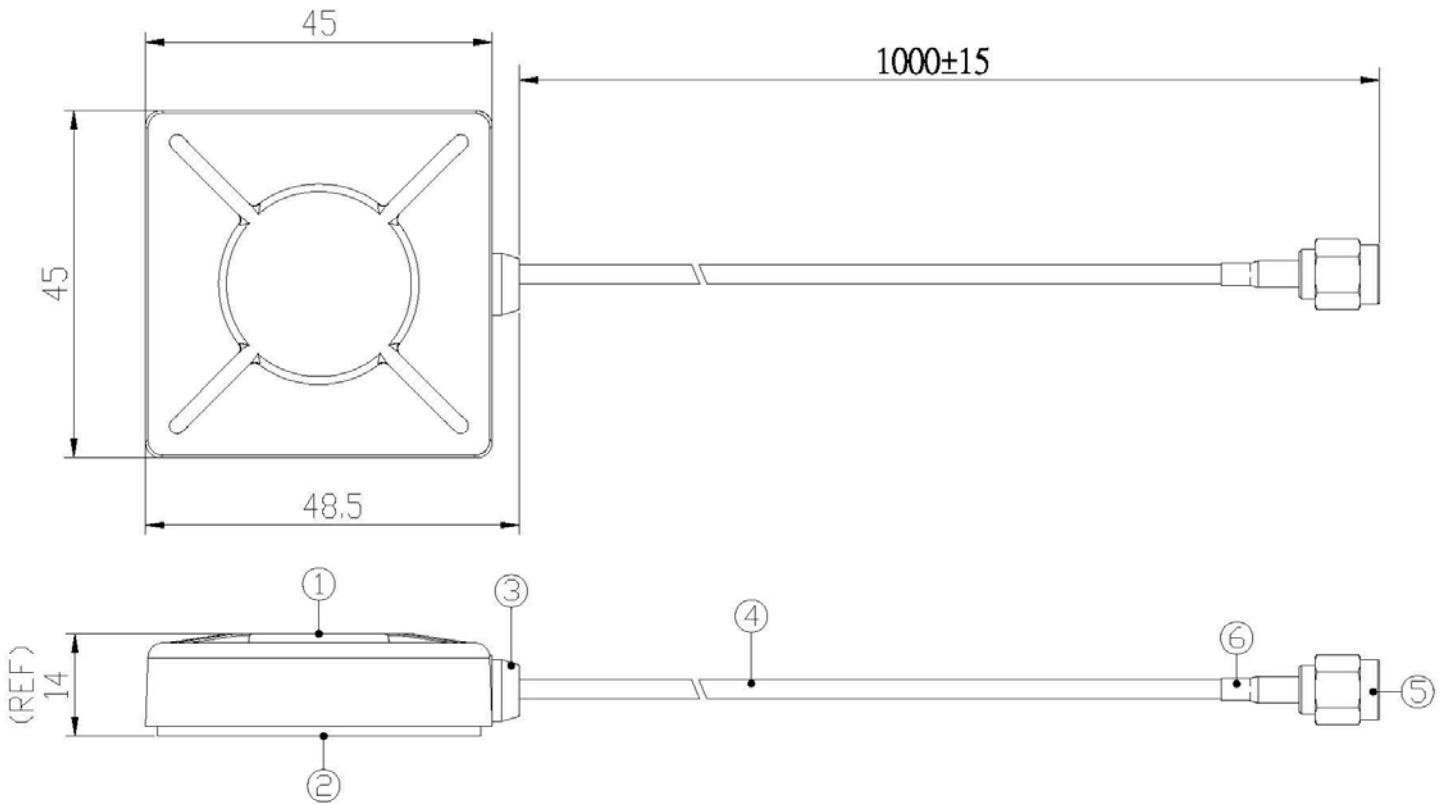
### 1.1 Electrical Properties

Parameter	Description
Frequency Band	2.4~2.5/5.15~5.85 GHz
Nominal Impedance	50 $\Omega$
V.S.W.R.	<1.9 : 1

### 1.2 Mechanical Properties

Parameter	Description
Dimensions	45*45*14 mm
Connector	180° RP SMA Male
Cable Length	RG-174 cable*1000 mm $\pm$ 15
Operating Temperature Range	-20°C~+60°C
Storage Temperature Range	-30°C~+70°C

## 2. Appearance (Unit : mm)

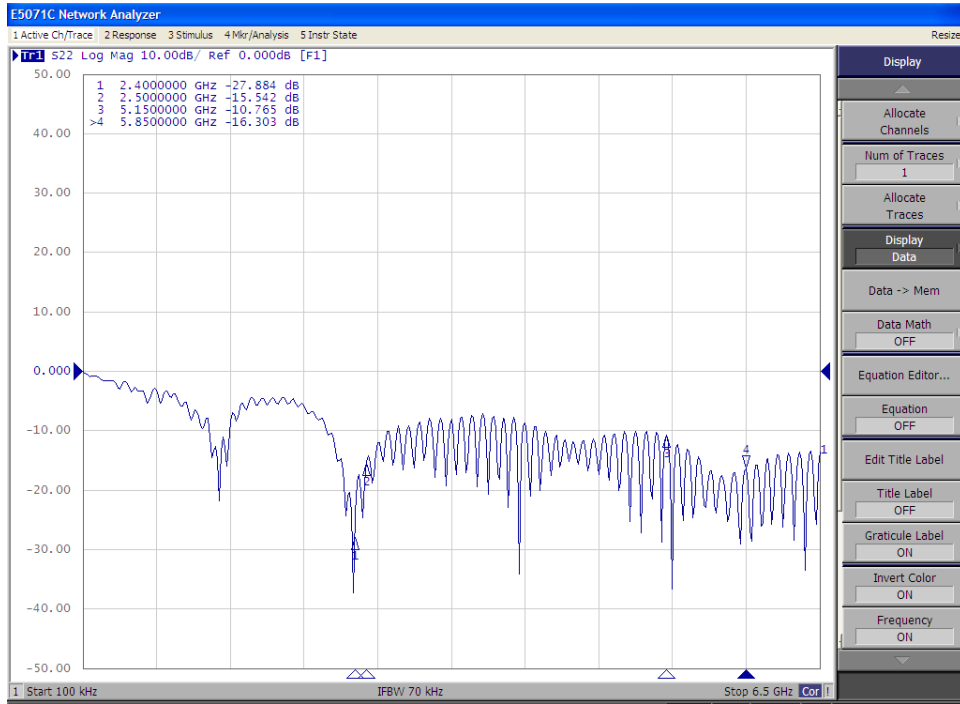


NO.	Name	Finish
1	Top shell	Black
2	Double-sided adhesive	Red
3	Rubber washer	Black
4	RG-174 A/U cable	Black
5	180° RP SMA Male	Nickel plating
6	Heat shrink tube	Black

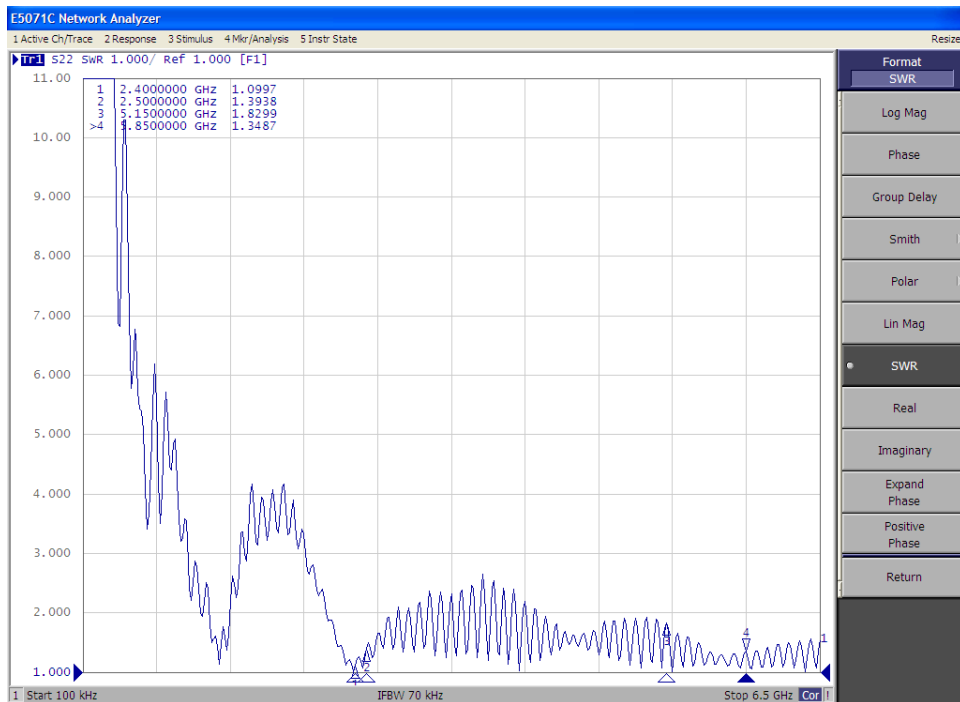


### 3. Performance

#### Return Loss



#### V.S.W.R.





## Smith Chart

