

SPECIFICATION

**ISM band – 868 MHz
Adhesive Antenna**



Model No. : AA01LW-8-174-5-S0



1. General Description

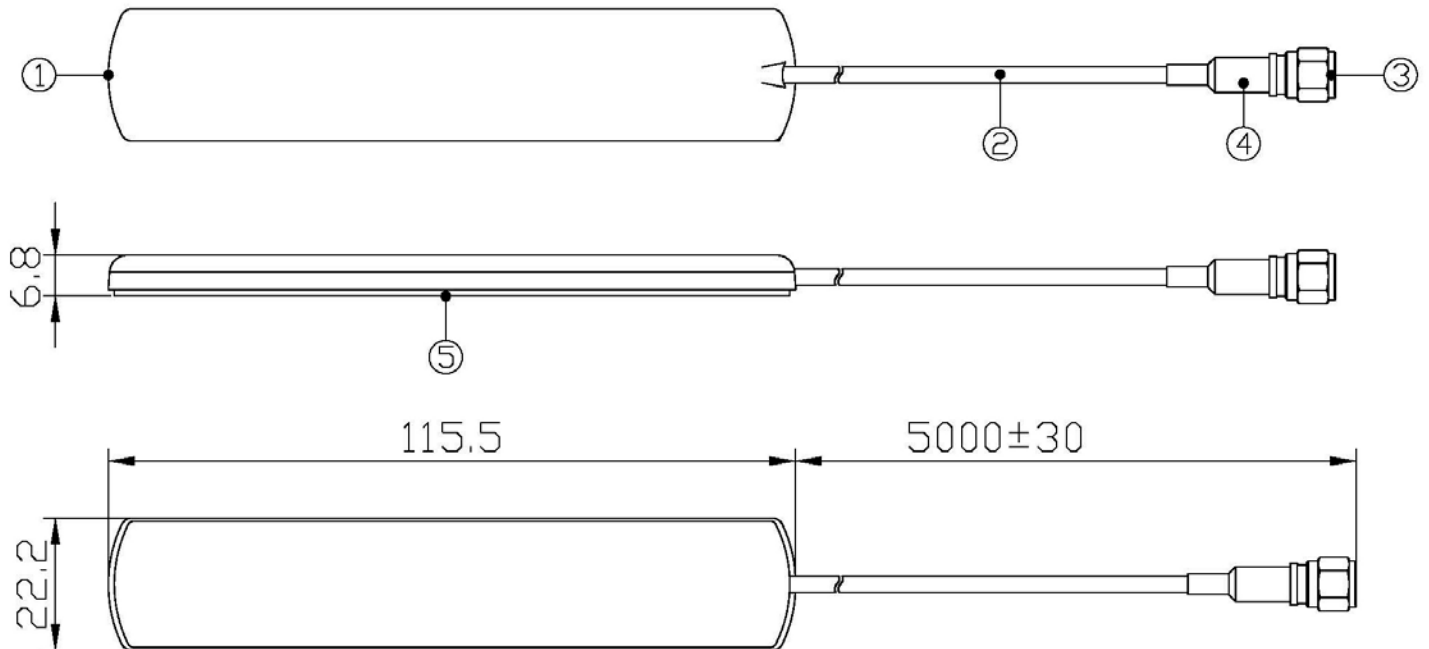
1.1 Electrical Properties

| Parameter | Description |
|-------------------|-------------|
| Frequency Band | 868 MHz |
| Nominal Impedance | 50 Ω |
| V.S.W.R. | 1.06 : 1 |

1.2 Mechanical Properties

| Parameter | Description |
|-----------------------------|-------------------------------|
| Dimensions | 115.5*22.2*6.8 mm |
| Connector | 180° SMA Male |
| Cable Length | RG-174 cable*5000 mm \pm 30 |
| Operating Temperature Range | -20°C~+60°C |
| Storage Temperature Range | -30°C~+70°C |

2. Appearance (Unit : mm)

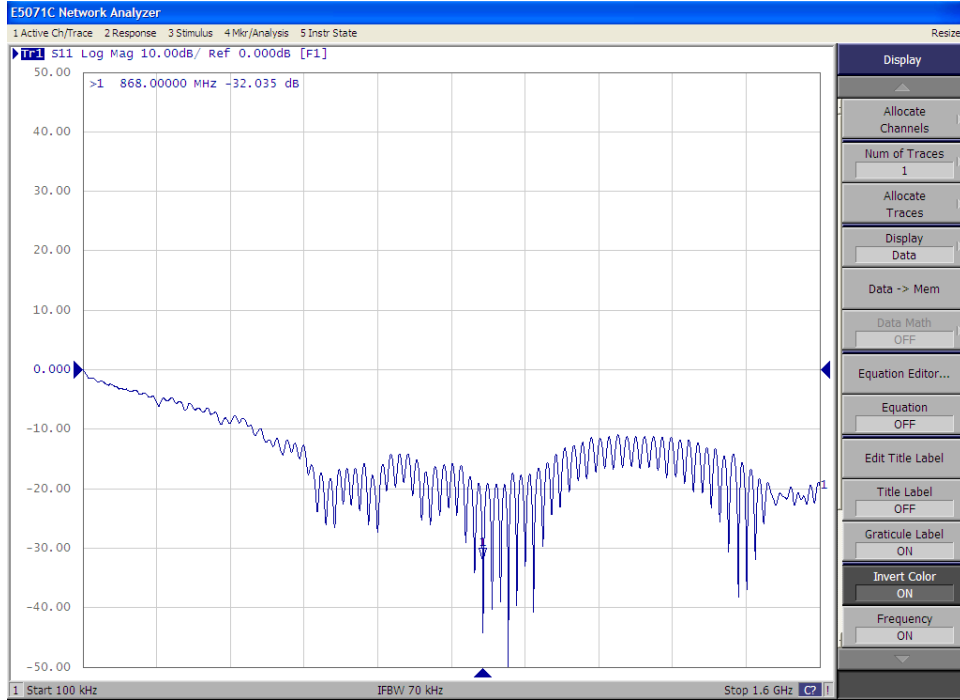


| NO. | Name | Finish |
|-----|-----------------------|----------------|
| 1 | Top shell | Black |
| 2 | RG-174 A/U cable | Black |
| 3 | 180° SMA Male | Nickel plating |
| 4 | Heat shrink tube | Black |
| 5 | Double-sided adhesive | Red |



3. Performance

Return Loss



V.S.W.R.



Smith Chart

