

SPECIFICATION

Dual Wi-Fi—2.4/5 GHz Adhesive Antenna



Model No. : AA01DW-174-2-S0R



1. General Description

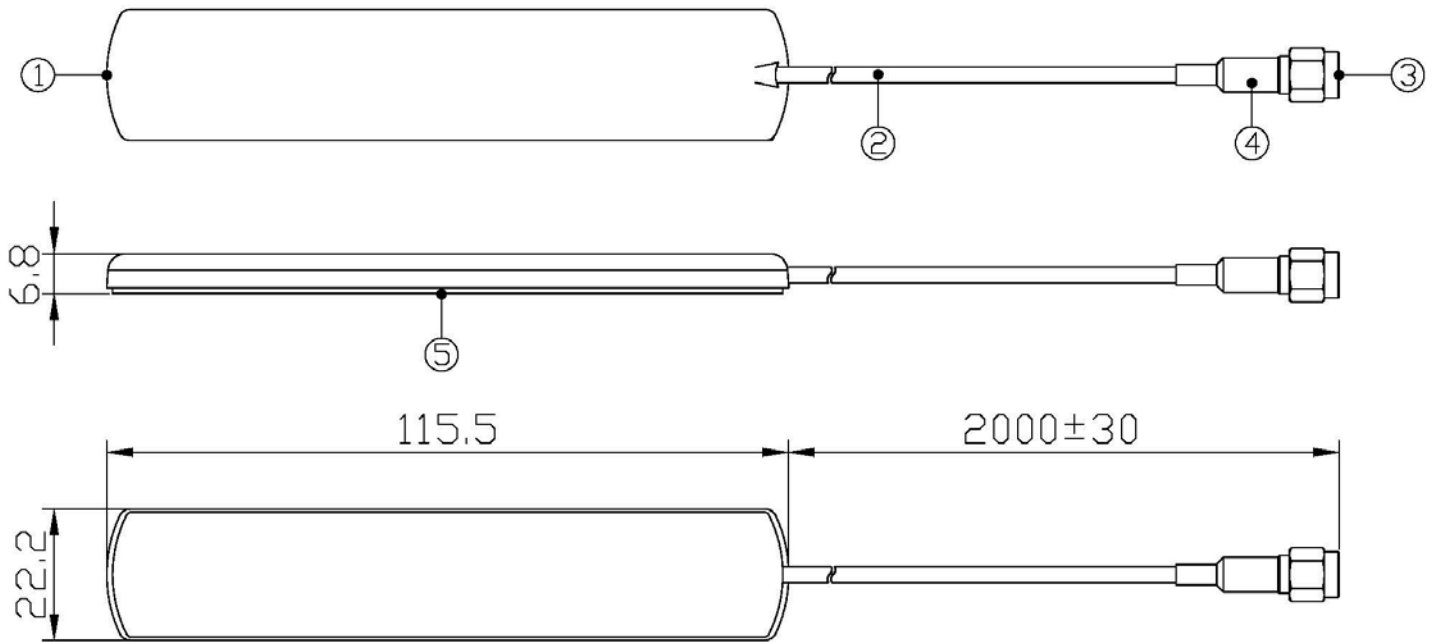
1.1 Electrical Properties

Parameter	Description
Frequency Band	2.4~2.5/5.15~5.85 GHz
Nominal Impedance	50 Ω
V.S.W.R.	<1.4 : 1

1.2 Mechanical Properties

Parameter	Description
Dimensions	115.5*22.2*6.8 mm
Connector	180° RP SMA Male
Cable Length	RG-174 cable*2000 mm \pm 30
Operating Temperature Range	-20°C~+60°C
Storage Temperature Range	-30°C~+70°C

2. Appearance (Unit : mm)

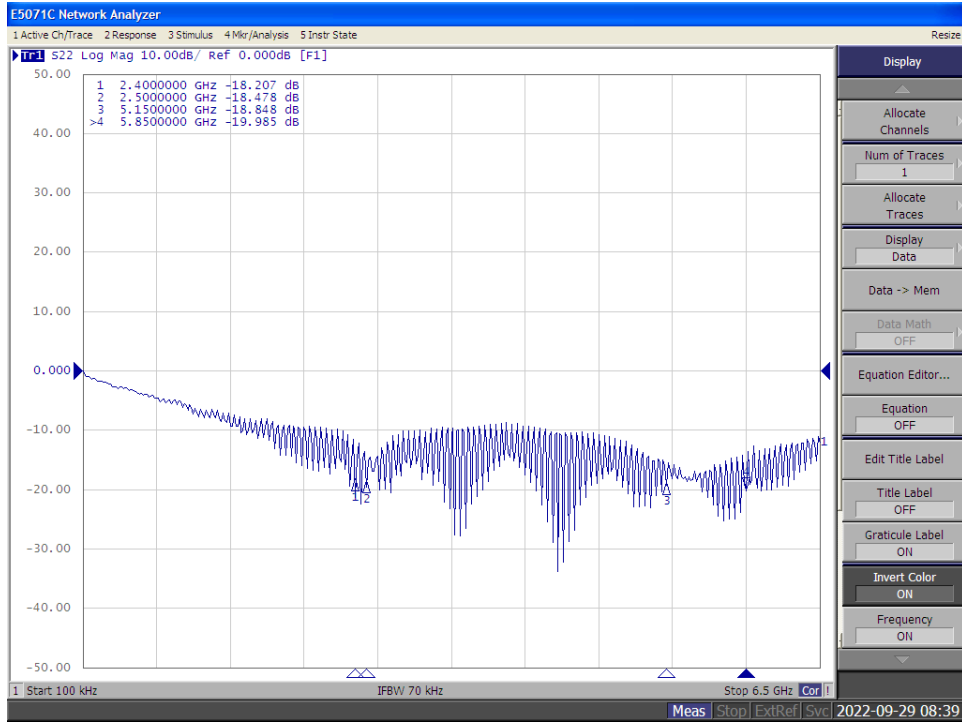


NO.	Name	Finish
1	Top shell	Black
2	RG-174 A/U cable	Black
3	180° RP SMA Male	Nickel plating
4	Heat shrink tube	Black
5	Double-sided adhesive	Red

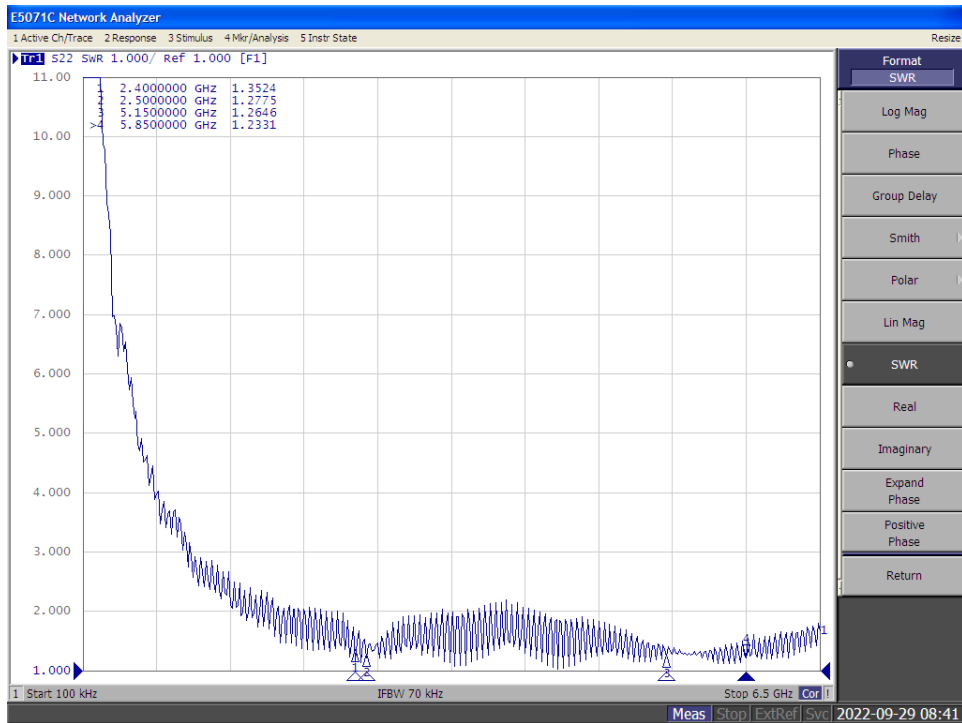


3. Performance

Return Loss



V.S.W.R.





Smith Chart

