



SPECIFICATION

**Wi-Fi / Bluetooth / Zigbee – 2.4 GHz
Adhesive Antenna**



Model No. : AA01B-174-1.5-S0



1. General Description

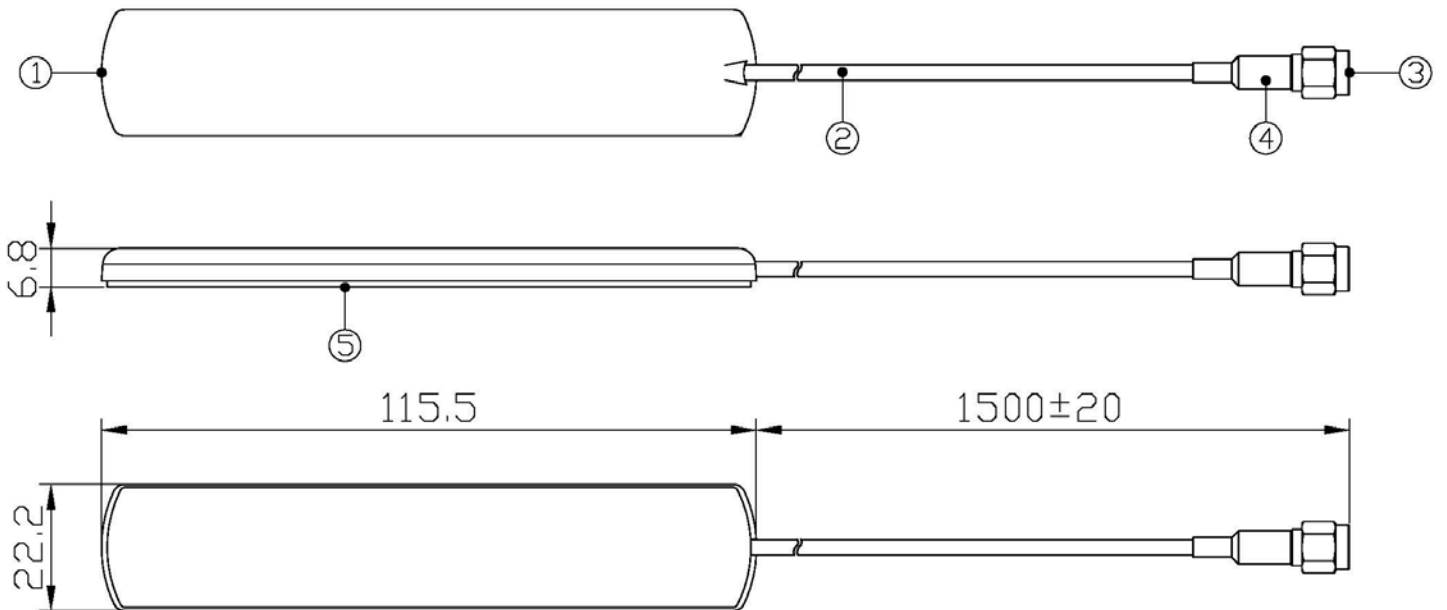
1.1 Electrical Properties

Parameter	Description
Frequency Band	2.4~2.5 GHz
Nominal Impedance	50 Ω
V.S.W.R.	<1.5 : 1

1.2 Mechanical Properties

Parameter	Description
Dimensions	115.5*22.2*6.8 mm
Connector Type	180° SMA Male
Cable Length	RG-174 cable*1500 mm \pm 20
Operating Temperature Range	-20°C~+60°C
Storage Temperature Range	-30°C~+70°C

2. Appearance (Unit : mm)

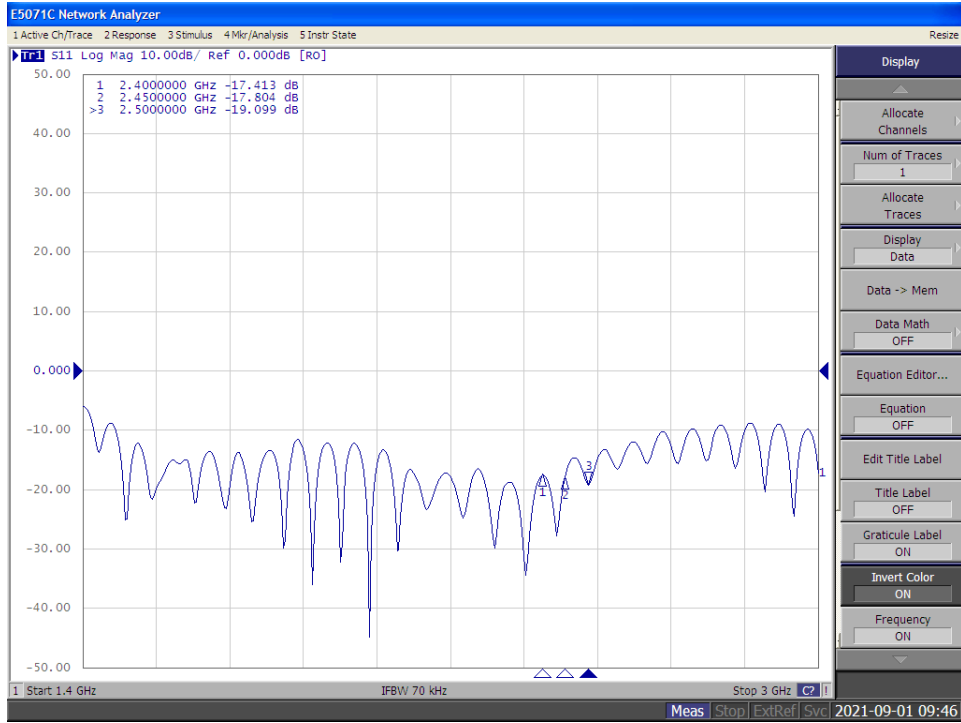


NO.	Name	Finish
1	Top shell	Black
2	RG-174 A/U cable	Black
3	180° SMA Male	Nickel plating
4	Heat shrink tube	Black
5	Double-sided adhesive	Red

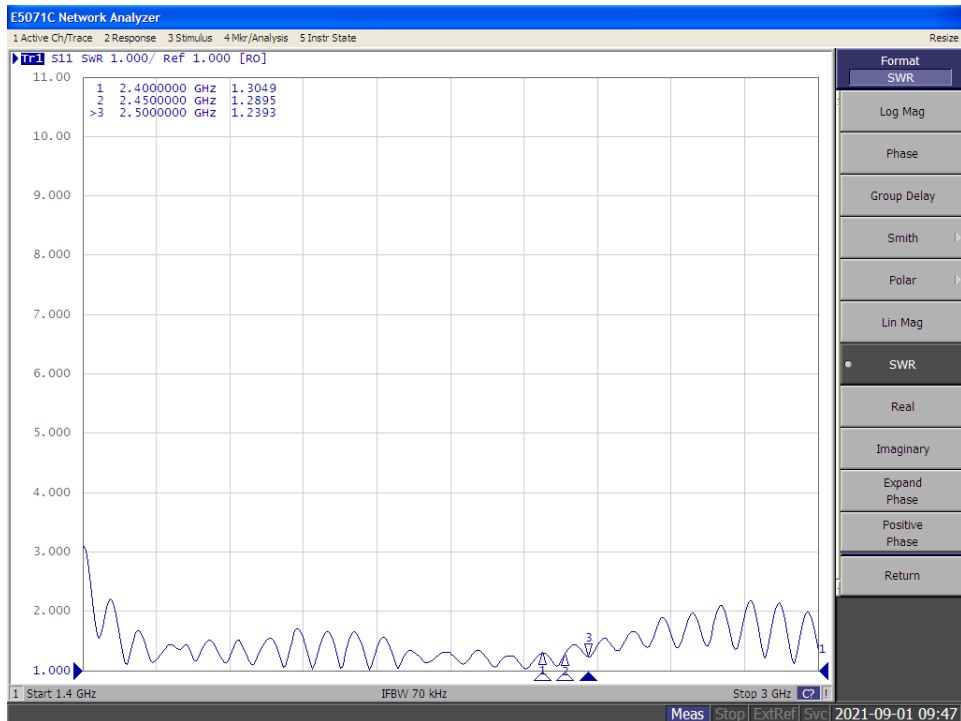


3. Performance

Return Loss



V.S.W.R.



Smith Chart

