



# SPECIFICATION

**GNSS—GPS L1 / GLONASS G1 / GALILEO E1**  
**Adhesive Active Antenna**



**Model No. : AA02ANAG-174-3-R12**



## 1. General Description

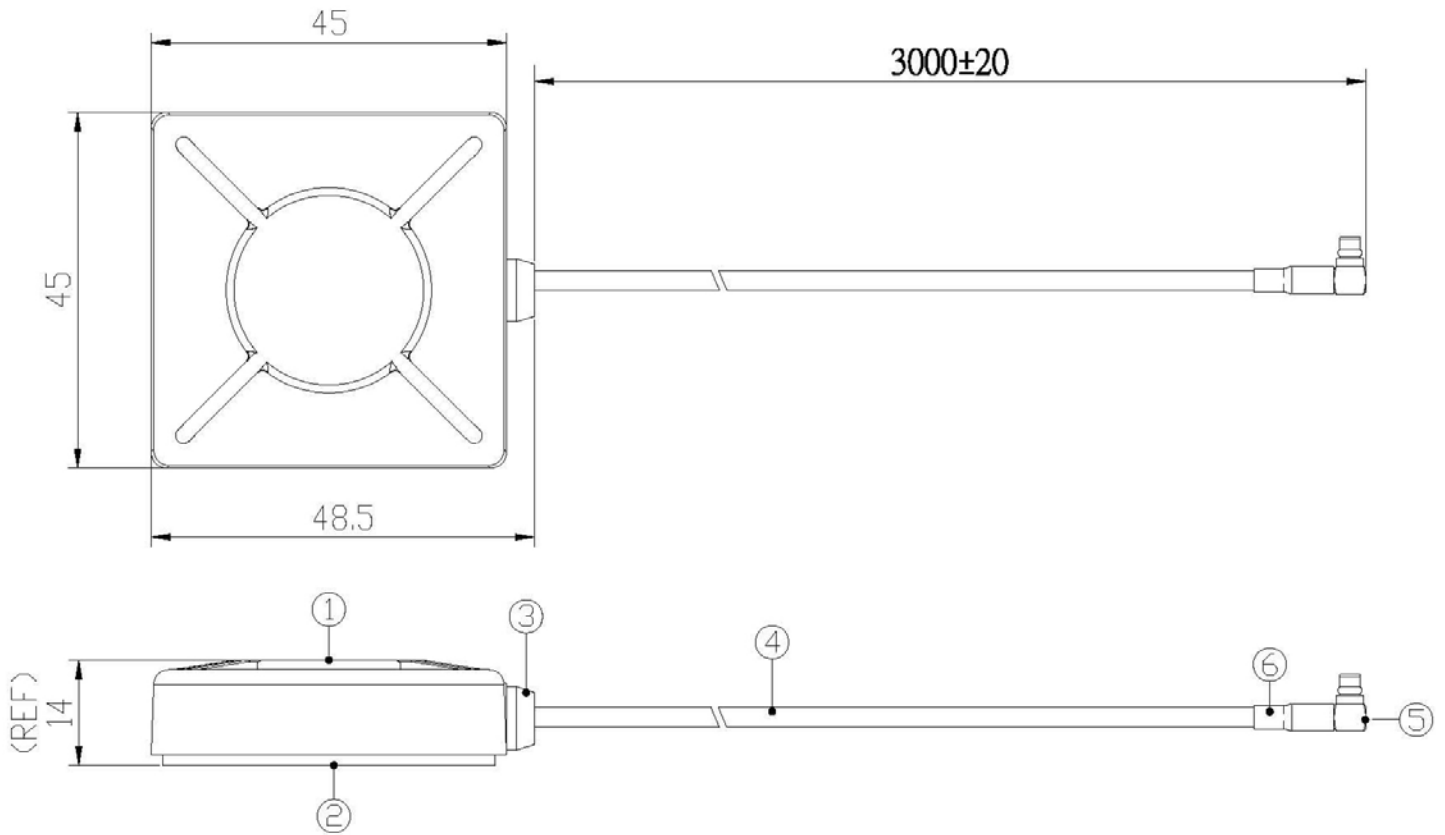
### 1.1 Electrical Properties

Parameter	Description	
Application	GPS L1/ BDS B1c Galileo E1/QZSS L1	GLONASS G1
Frequency Band	1575.42 MHz	1602 MHz
Nominal Impedance	50 $\Omega$	
Polarization	R.H.C.P.	
V.S.W.R.	<1.2 : 1	
LNA Gain	27 dB	
Gain @ Zenith	-2.5 dBi	-1.5 dBi
Noise Figure	1.5 dB Typ.	

### 1.2 Mechanical Properties

Parameter	Description
Dimensions	45*45*14 mm
Connector	90° MMCX Male
Cable Length	RG-174 cable*3000 mm $\pm$ 20
Operating Temperature Range	-20°C~+60°C
Storage Temperature Range	-30°C~+70°C

## 2. Appearance (Unit : mm)

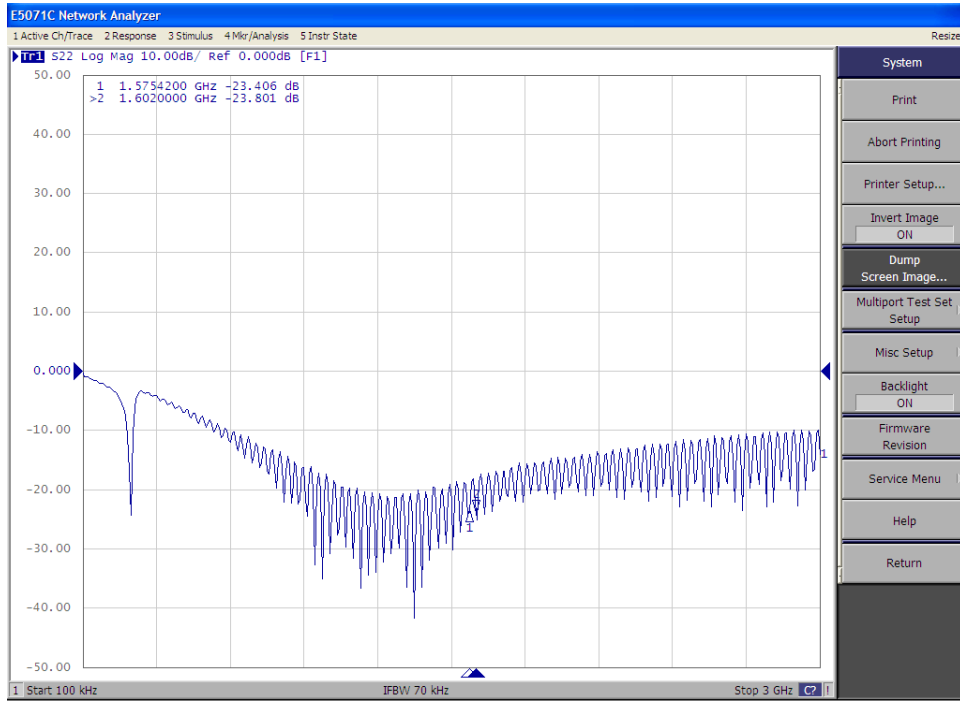


NO.	Name	Finish
1	Top shell	Black
2	Double-sided adhesive	Red
3	Rubber washer	Black
4	RG-174 A/U cable	Black
5	90° MMCX Male	Gold plating
6	Heat shrink tube	Black

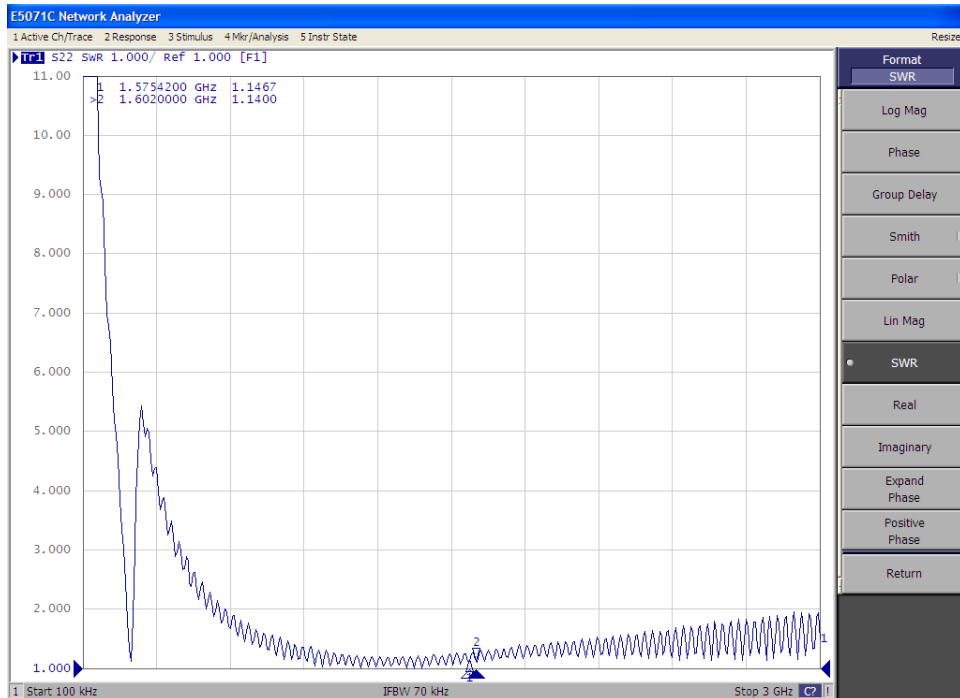


### 3. Performance

#### Return Loss



#### V.S.W.R.



## Smith Chart

